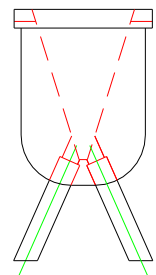
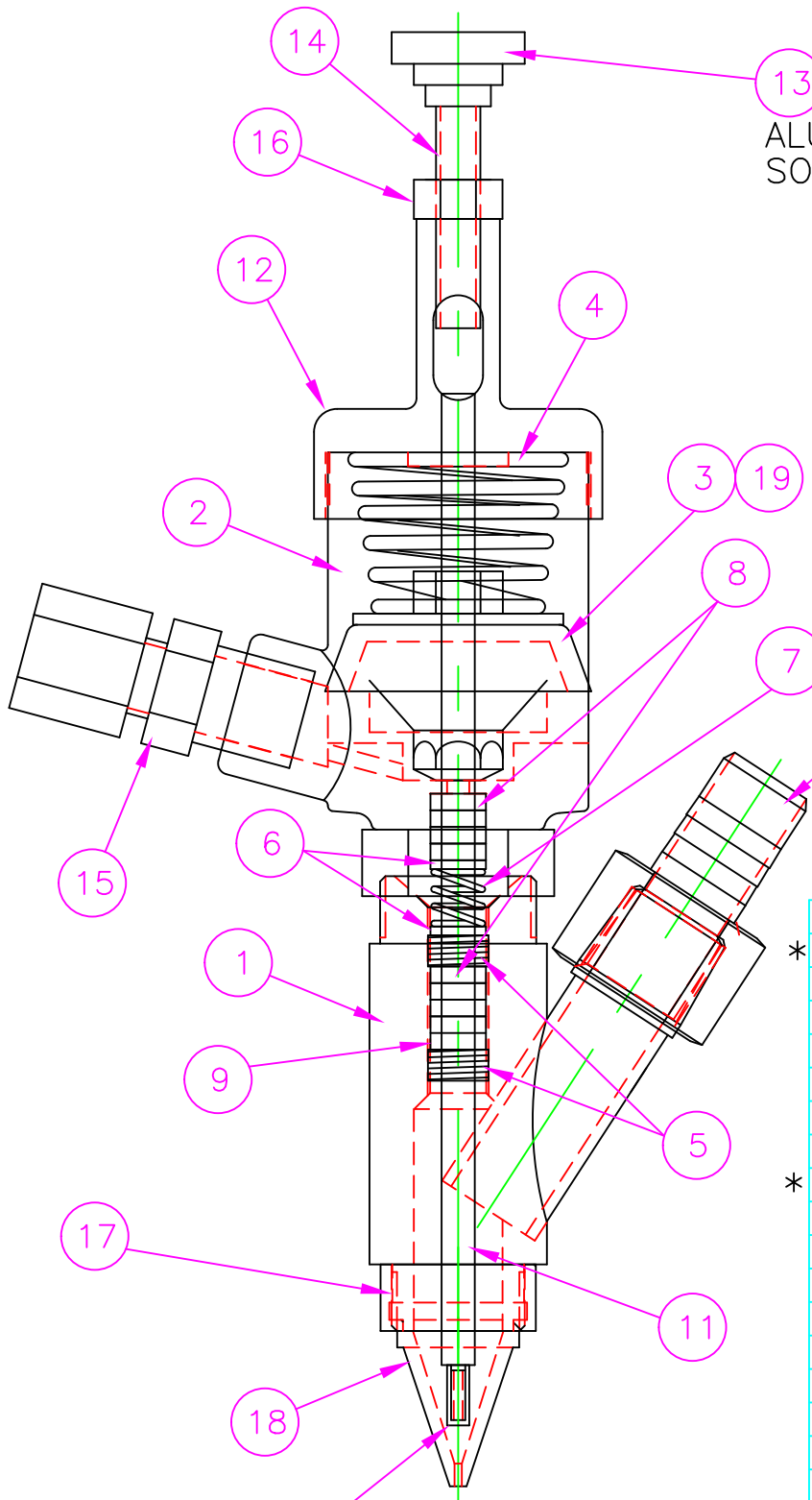


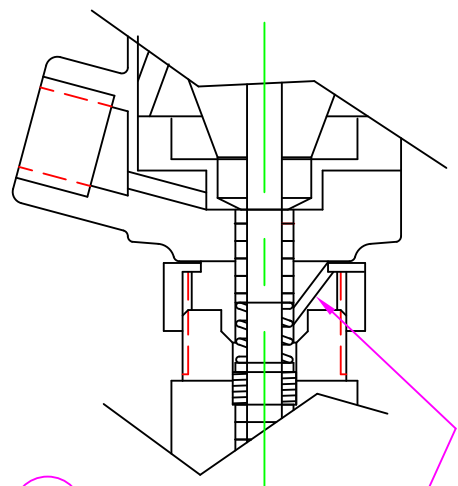
*

ALUMINUM & SOLDER:
TG-125





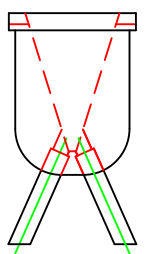
ALUMINUM: 7P1104
SOLDER: 7P1102



WEEP HOLE

NOTE: FOR SOLDER APPLICATIONS
REPLACE ITEM #9 WITH
ITEM #8 (9) TOTAL

ALUMINUM & SOLDER:
TG-125



21			
* 20	1	1/8 ROD TIP	WP-125
19	1	PISTON LEATHER CUP	7P1015
18	1	NOZZLE	TO SUIT
17	1	NOZZLE NUT	7P1045
16	1	NUT	N-I
15	1	10-4-4 NYLON FITTING	3P0036
14	1	S.H.C.S.	7P1105
* 13	1	THUMB SCREW KNOB	7P1103
12	1	PISTON CAP	7P1076
11	1	ROD VALVE W/ 1/8 TIP	7P1120
10	1	9000-1 ADAPTER	7P1071
9	1	RUBBER PACKING	7P1046
8	8	DU-28 3/16 LEATHER PACKING	7P1008
7	1	DU-30 PACKING SPRING	7P1007
6	2	U-25 3/16 PACKING GLAND	7P1006
5	2	DU-25 3/16 PACKING NUT	7P1005
4	1	U-2966A PISTON SPRING	7P1004
3	1	DU-873E 3/16 PISTON ASS'Y	7P1003
2	1	U-1907B AIR CYLINDER	7P1002
1	1	FE-70 FLUID BODY	7P1001
ITEM	QTY	DESCRIPTION	PART#

FUSION INCORPORATED

4658 EAST 355TH STREET
WILLOUGHBY OHIO 44094

TITLE: APPLICATOR GUN ASS'Y
W/ 1/8" ROD VALVE TIP

SIZE	SCALE	DWG NO.	REV
A	1=1	FE-71	
BY	GS	DATE	SHEET
		6/3/98	